



Diffused Bubble Aeration Systems

The AIRRaider EZ⁹⁵ is the most technologically advanced waterborne radon removal system in the world.

The AIRRaider EZ⁹⁵ provides everything you and your customer ever wanted in a water aeration system.



Good things come in small packages

The EZ⁹⁵'s low profile and small footprint can fit into tight spaces.

Looks aren't everything ~ but they do count

The compact EZ⁹⁵ with fully integrated repressurization pump is easily the best-looking water aeration system available.

Silence is not always golden

The EZ⁹⁵ works quietly and effectively – but makes itself heard when necessary. An audible alarm will sound if the water level is too high or if the aeration process is interrupted.

You can buy peace of mind

The EZ⁹⁵ reduces the radon level by up to 95%+ ... at a reasonable price.

EZ Does It!

- ✓ *Easy to Install*
- ✓ *Easy to Maintain*
- ✓ *Easy on the Eyes*
- ✓ *Easy on the Wallet*



800-767-3703

Your job just got EZ!

No Sweat

- The EZ⁹⁵, unlike its competitors, has a double-wall foam-insulated tank that will not “sweat.”

Small and Compact

- At just over 3 1/3 feet high, 2 1/2 feet wide and 2 2/3 feet long, the EZ⁹⁵ is unobtrusive and fits into tight spaces. Can be shipped via UPS.

Effective

- The EZ⁹⁵ is small in size but big in effectiveness, achieving up to 95%+ radon reduction.

Total Package

- The EZ⁹⁵'s fully integrated internal repressurization pump and control make installation easy. No external repressurization system necessary.

Easy Maintenance

- The EZ⁹⁵ is designed for easy maintenance. Just lift the lid to access system components.

Quiet

- The EZ⁹⁵'s unique design including the blower cover and built-in water hammer arrester, make it the quietest aeration system in its class.

Negative Pressure

- The EZ⁹⁵'s unique design maintains a negative pressure to avoid radon leakage into the living area.

Fail Safe

- EZ Prime Valve protects the pump and takes the guesswork out of pump priming.
- Two EZ Failsafe Floats help to prevent extreme water level fluctuations. The upper float guards against overflow, the lower float protects the pump from a potential “run dry” condition.
- EZ Pump Control combines a Flexcon Smart Valve and pressure switch to provide pump control without large pressure tanks, reducing fluctuations in pressure on/off cycling.
- Two solenoid valves help to avoid overflow if one is blocked by debris or sediment.
- Audible Alarm sounds if the upper float rises due to on/off float failure. The alarm also sounds if the aeration process is interrupted.

Performance and Technical Information

Blower: High Flow 20000 RPM 0.21HP 800 Watt 115VAC/5.7 Amp

Pump: 1/2 HP 115V/9.0 Amp Thermally Protected Submersible

EZ Pump Controller: Pressure Switch with Flexcon Smart Valve to Regulate Pump Pressure and Reduce On/Off Cycling

Air Alarm: Pressure Switch with 120 VAC/0.02 Amp Buzzer

Solenoid Valves: Normally Closed Metal Housed Class Electromagnetic Valves F120 VAC Buna N Seal Brass Valve Body 3/4" NPT

System Voltage: 115V

Electric Supply: 20 Amp 115VAC Dedicated Circuit

Recommended Flow: Capable of up to 10 GPM

Radon Reduction: Up to 95%+

Water Inlet/Outlet Connections: 3/4" Sharkbite to Suit 3/4" Pex or Copper

Air Outlet: 2" PVC Pipe Female Socket (Solvent Cement)

Air Inlet: Via 10 Micron Filter/Silencer can be remotely mounted

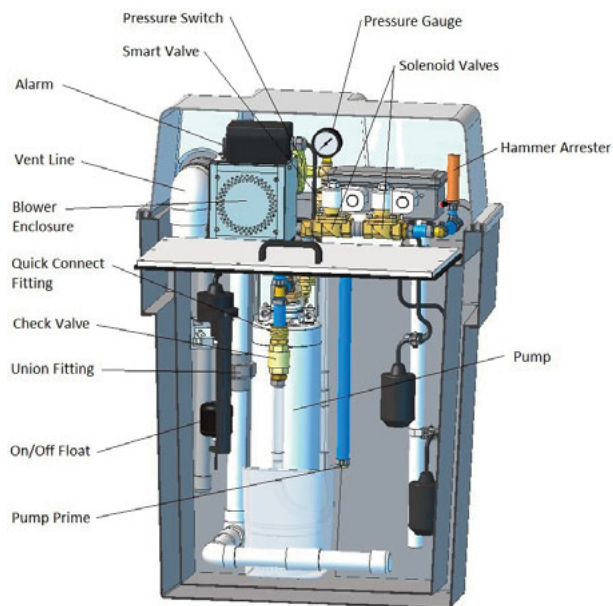
Tank: Double Wall Insulated NSF Rated for Potable Water

Tank Dimensions: 27.62" H x 25.17" W x 25.23" L

Tank Operating Capacity: 27 Gallons (Total Internal Volume 41 gallons)

Overall Dimensions: 36.37" H x 25.65" W x 25.71" L

Pipe: NSF Rated for Potable Water



Dealer:

RadonAway
800-767-3703

Ward Hill, MA
www.radonaway.com

